



VANKIRKCONNECT

MODERN
INDUSTRIAL
CONDOMINIUMS



	PRICE	\$\$\$
	TOTAL AREA	2,263 SF
	FINISHED AREA	100%
	POWER	100 AMPS
	SHIPPING	DRIVE IN
	CLEAR HEIGHT	16 FT
	OCCUPANCY	IMMEDIATE

25-35 VAN KIRK DR / BRAMPTON

UNIT 7 **FOR SALE**

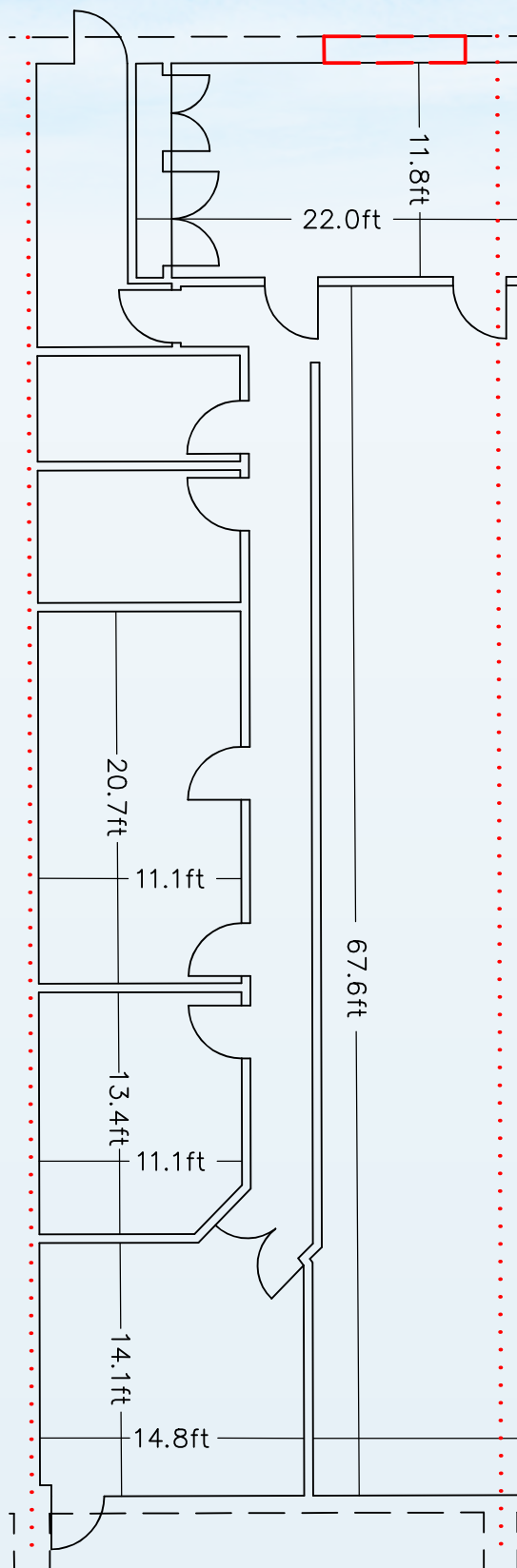
LEGEND: ▲ TRUCK LEVEL ▲ DRIVE IN ▲ FUTURE DRIVE IN





VANKIRKCONNECT

UNIT 7
FLOOR PLAN





VANKIRKCONNECT

FOR SALE 25-35 VAN KIRK DR / BRAMPTON

UNIT 7



MANTELLACORPORATION.COM

Colliers | 401 The West Mall, Suite 800, Toronto ON, M9C 5J5

This document has been prepared by Colliers for advertising and general information only. Colliers makes no guarantees, representations or warranties of any kind, expressed or implied, regarding the information including, but not limited to, warranties of content, accuracy and reliability. Any interested party should undertake their own inquiries as to the accuracy of the information. Colliers excludes unequivocally all inferred or implied terms, conditions and warranties arising out of this document and excludes all liability for loss and damages arising there from. This publication is the copyrighted property of Colliers and/or its licensor(s). Copyright © 2024. All rights reserved. This communication is not intended to cause or induce breach of an existing listing agreement.

For any inquiries regarding the Property, please reach out to the following:

HUNTER COOK

Sales Representative

+1 416 791 7279

Hunter.Cook@colliers.com

KAMAL CHOHAN

Broker of Record

+1 416 871 6491

kamal@citibrokers.ca

AITZAZ AHMAD

Broker

+1 647 401 7440

plazas02@gmail.com

